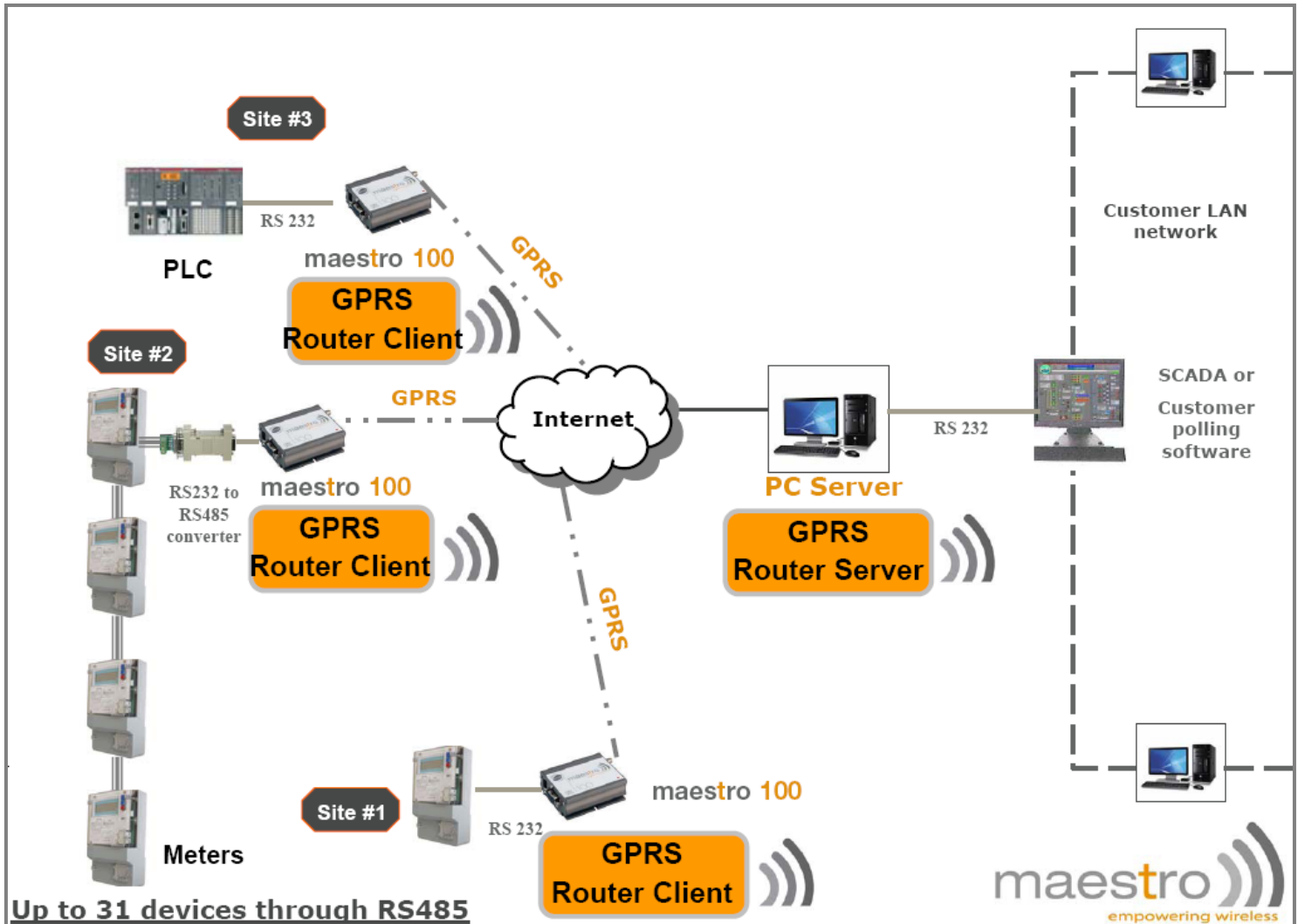


OVERVIEW:

MAESTRO GPRS ROUTER is an open and user friendly solution developed specifically for the monitoring, control and data acquisition of unattended facilities through the use of popular GPRS wireless technology.

This solution consists of a firmware at remote sites (embedded in Maestro modems) and a software at the host site (user's server). This innovative solution allows telemetry data to be **wirelessly** and **transparently** transferred over a **GPRS network** without requiring equipment manufacturers or software providers to make change to their products.

Maestro **GPRS ROUTER** is a **simple, innovative and easy to use** solution which can be implemented on numerous SCADA protocols such as Modbus, DNP 3.0, HART, ION and IEC.





FEATURES:

- **TRANSPARENT DATA TRANSMISSION**

- **NO PROTOCOL LIMITATION**

- **AES 128 bits encryption**

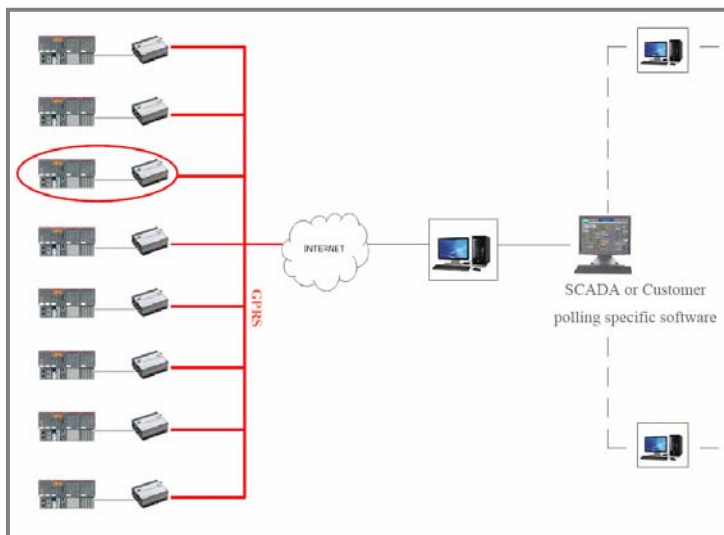
As an industry **encryption standard**, it is currently being deployed on a large scale.

The **data** are **encrypted** by the client modem and then **decrypt** by the server before being send to the customer software. AES encryption is probably **the best way actually to secure your data flow**.

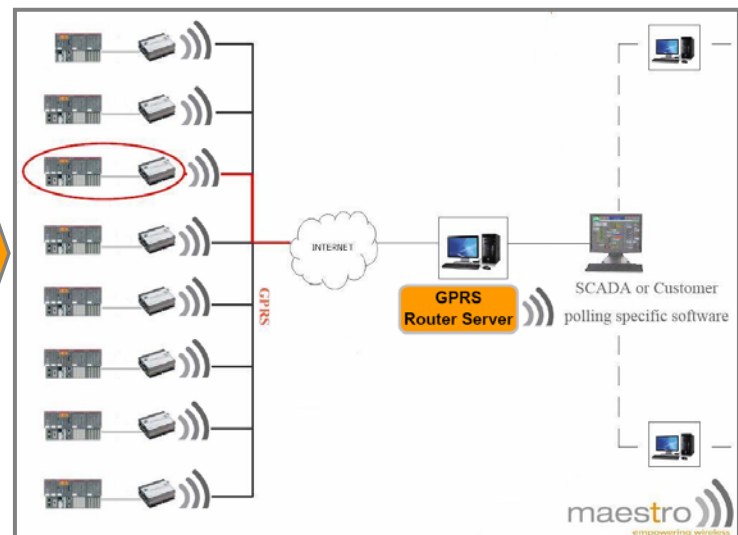
- **Optimized Data Traffic:**

When a request is asked by the server, basic system send the request to the whole devices connected to the network and wait for a reply from concerned one. This generates unnecessary traffic and tremendously slow down the answering time from the device to the server.

The maestro routing feature is able to select only the device concerned by the request. Indeed an ID is set to each modem, allowing an individual and straight communication with the concerned device in dual way.



Basic system



maestro solution

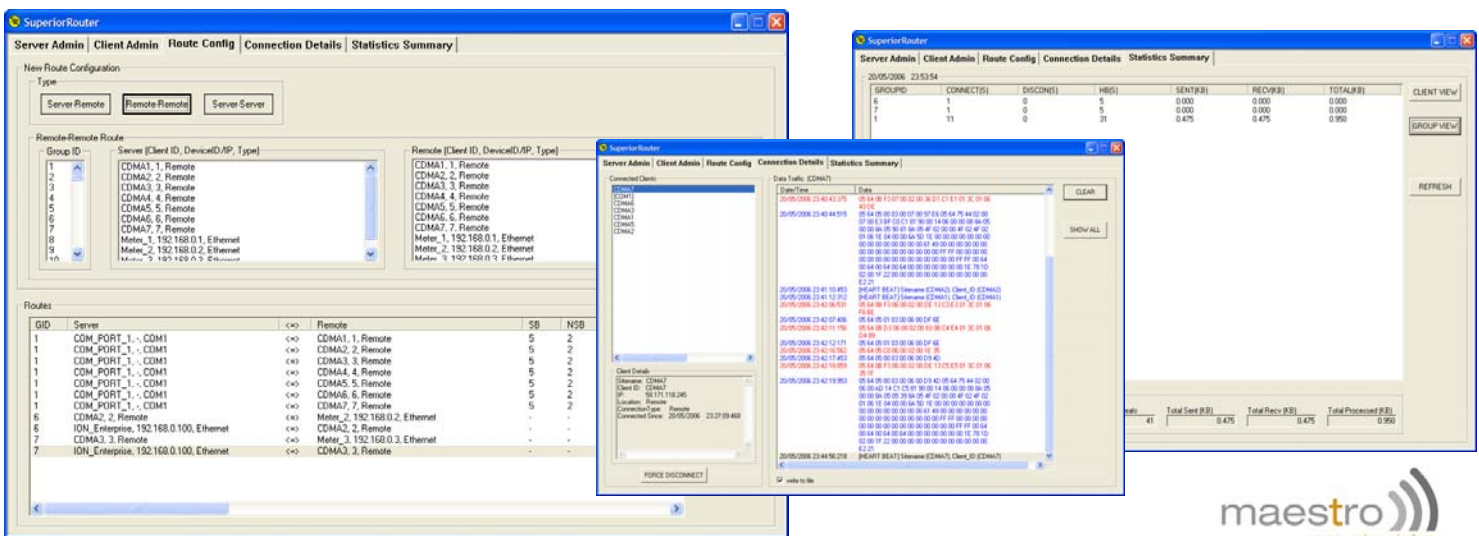


■ **GPRS connection made easy!**

- No need of fixed IP on the remote sites, the Maestro modems initiate the connection to the fixed IP server.
- On line connection always maintained. Maestro modems are empowered to constantly detect the network connection status and to re-attached automatically if necessary.

■ **Routing Management :**

The **GPRS Router Server software**, installed in the customer's server, records the history of transmitted data for all modems which are tagged with an ID. User-friendly with a Graphical User Interface for site configuration, diagnostics and statistical data.



ADVANTAGES AND BENEFITS:

- **SECURITY** in communication thanks to AES 128 encryption
- **TIME SAVING** thanks to GPRS and optimized data traffic
- **Operating cost based of data transferred** instead of time connected
- **Multi-protocol** and completely transparent
- **Maestro GPRS Router Server** program can be connected to the SCADA server via **Virtual Com Port**.
- **“Always-on”** connectivity provides real-time communication
- **Compatible** with existing equipment, protocols and infrastructures